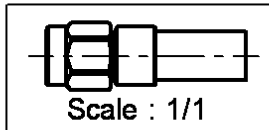
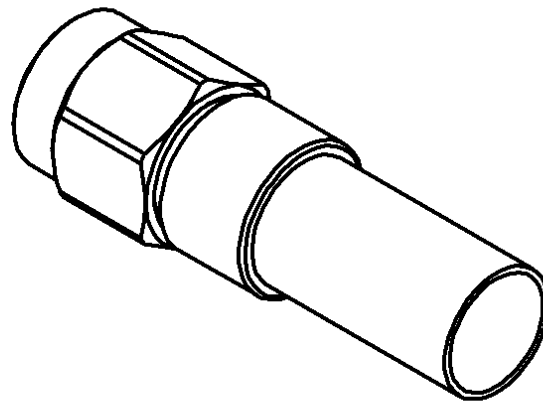
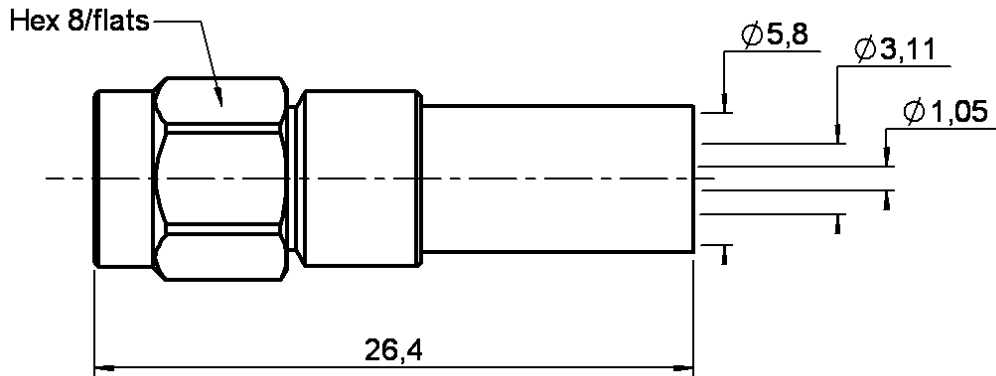


STRAIGHT PLUG FULL CRIMP TYPE

R125.076.120

CABLE 5/50 D-BR

Series : SMA



All dimensions are in mm.



COMPONENTS	MATERIALS	PLATINGS (μm)
BODY	STAINLESS STEEL	GOLD 0.5 OVER NICKEL 2
CENTER CONTACT	BRASS	GOLD 1.3 OVER NICKEL 2
OUTER CONTACT	-	-
INSULATOR	PTFE	-
GASKET	-	-
OTHERS PARTS	BERYLLIUM COPPER, BRASS	GOLD 0.2 OVER NICKEL 2
-	-	-
-	-	-

Issue : 0248 A

In the effort to improve our products, we reserve the right to make changes judged to be necessary.



STRAIGHT PLUG FULL CRIMP TYPE

R125.076.120

CABLE 5/50 D-BR

Series : SMA

PACKAGING

Standard	Unit	Other
100	'W' option	Contact us

SPECIFICATION

ELECTRICAL CHARACTERISTICS

Impedance		50 Ω
Frequency		0-12.4 GHz
VSWR	1.15 +	0.020 x F(GHz) Maxi
Insertion loss		0.06 √F(GHz) dB Maxi
RF leakage	- (60 - F(GHz)) dB Maxi
Voltage rating		335 Veff Maxi
Dielectric withstanding voltage		1000 Veff mini
Insulation resistance		5000 MΩ mini

CABLE ASSEMBLY

Stripping	a	b	c	d	e	f
mm	3.00	6.30	11.0	0.00	8.00	0.00

Assembly instruction : **Crimp 02**

Recommended cable(s)
 KX 23
 RG 142 FTX
 RG 142
 RG 400
 RG 223

Cable retention
 - pull off **204** N mini
 - torque **NA** N.cm

MECHANICAL CHARACTERISTICS

Center contact retention		
Axial force – Mating end		15 N mini
Axial force – Opposite end		15 N mini
Torque		NA N.cm mini

TOOLING

Part Number	Description	Hexagon
.	.	.
R282.223.000	CRIMPING TOOL	5.41
R282.235.011	CRIMPING DIES	5.41
R282.281.000	CRIMPING TOOL	2x4 (pos. 7)
R282.293.000	CRIMPING TOOL	-
R282.967.012	POSITONER FOR CRIMPING TOOL	-

Recommended torque		
Mating		110 N.cm
Panel nut		NA N.cm
Clamp nut		NA N.cm
A/F clamp nut		0.000 mm

Mating life		500 Cycles mini
Weight		4.630 g

OTHERS CHARACTERISTICS

R282.281.000+R282.967.012
 R282.293.000+R282.235.011

ENVIRONMENTAL

Operating temperature		-65/+165 °C
Hermetic seal		NA Atm.cm3/s
Panel leakage		NA

Issue : 0248 A

In the effort to improve our products, we reserve the right to make changes judged to be necessary.

